

Detergent Modules

09525X-XXX-S – Detergent Injection Module



Hydro-Chem, Inc.
6605 Broadmoor Ave SE
Caledonia, MI 49316

Office: (616) 531-6420
e-mail: service@hcs-clean.com

Part Number	X = No. of Dosatron Units XXX = Max Dilution Ratio		
Dilution Options	5:1 - 20:1	10:1 - 100:1	50:1 - 500:1
Control Voltage	24VAC		
Approx. Dimensions	53.5"W (max) x 30"H x 9.125"D		

General Info

The purpose of this manual is to provide the necessary information to install and operate the Hydro-Chem equipment to exceed your defined expectation.

The Detergent Modules will come assembled and ready to plumb and wire to. Plumbing details can be found in the project MEP and contractor wiring specs may be found within the document holder of the MCP.

System Overview

Figure 1 outlines the overall layout of the Detergent Module.

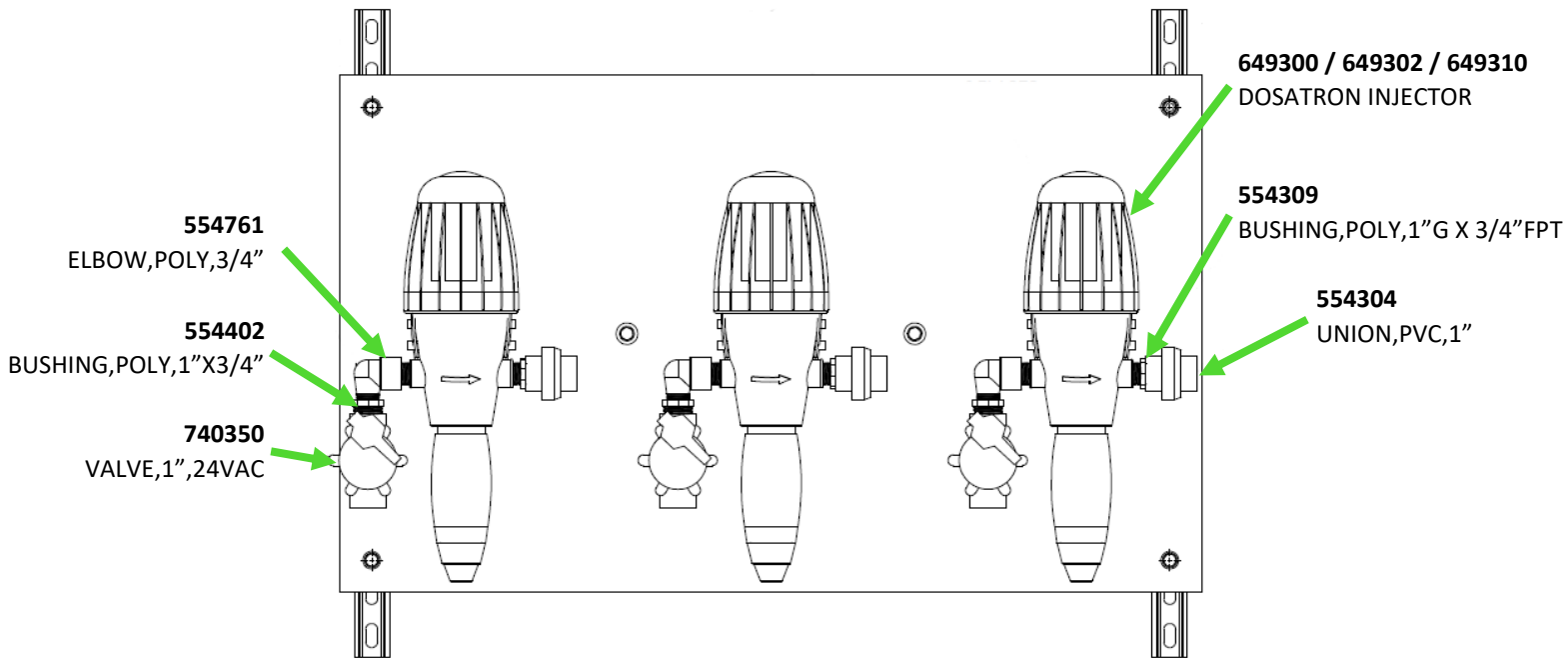


Figure 1. Detergent Module Assembly Layout

Installation & Set-Up

The uni-strut backing of this assembly is to be used to mount the Detergent Module to the wall, typically above the planned location of the detergent tote or tank. This should be plumbed in line after the provided water filter strainer per the project MEP. The wiring instructions are found within the Electrical Packet for the system. *Note: When wiring the 24VAC solenoid, leave the wiring from the solenoid loose so that the solenoid may be manually opened if necessary.

A hosed dip tube may be added by removing the fitting at the bottom of the Dosatron unit and reattaching over the hose. The dilution ratio of the Dosatron unit can be seen on the unit and adjusted by rotating that body

Maintenance

The Dosatron seal kit should be replaced **yearly**. This seal kit may be purchased from HCS via part number 649335.

Troubleshooting

Issue	Potential Solution
Solenoid valve not activating during a wash	Are other outputs such as the Booster Pump turning on?
	<p>Yes - Ensure that the solenoid is receiving a signal from the MCP and that it has 24VAC being supplied to it. If so, replace the solenoid on the valve.</p>
	<p>No - Check that no system stop buttons are pushed in. If they aren't, ensure that no breakers are tripped within the MCP and that there is 24VAC available in the panel where it should be.</p>
Dosatron not drawing detergent	Is water flowing through still and is the piston within the Dosatron moving or clicking?
	<p>Yes - Ensure that there are no air gaps in the line from the detergent tote or tank to the Dosatron inlet</p>
	<p>No - The O-rings should be checked and replaced.</p>